



# Portable Dipole Antenna LW Series



*\*The kit bag is not included. There are a wide variety of colours and sizes available. Please speak to one of our sales representatives for more information about this item.*

*The Future Never Sounded So Good.*

## SMC LW Series

The SMC LW Series of HF portable antennas have proved to be reliable in the field of operation and yet can be used in most situations with a high degree of success.

These qualities have ensured its success in a wide range of applications from the Antarctic to the Tropics.

Since its original design, SMC has endeavoured to improve the basic unit taking advantage of the wide range of improved materials now available.

SMC has a range of purpose designed masts for use with this antenna. Details are available on request.

## Electrical

Frequency Range:	3-30MHz or 2-30MHz
Power Rating:	500W CW
Polarisation:	Horizontal
VSWR:	2:1 maximum at 50 ohms
Input Impedance:	50 or 75 ohms
Input Connector:	BNC or UHF to order

## Mechanical

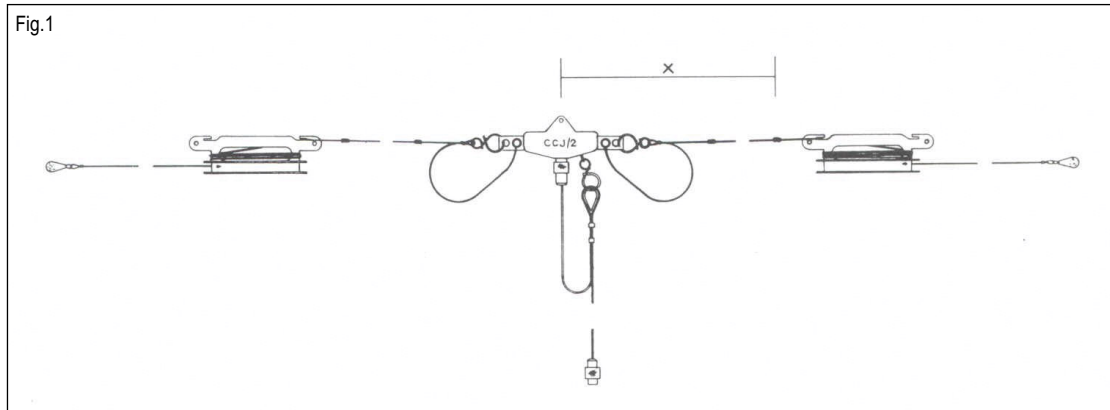
Antenna Elements	
LW8/K:	PVC covered kevlar braid with plaited copper wire.
Centre Junction:	Type SMC CCJ/2 carbon loaded ultra-violet resistant moulding.
Metal Fittings:	Stainless steel or brass.
Kit Bag:	Optional, available in a wide range of colours and sizes.

### South Midlands Communications Ltd

SM House, School Close, Chandlers Ford Industrial Est. Eastleigh, Hampshire, SO53 4BY ENGLAND  
Tel: +44 (0)23 8024 6200 Fax: +44 (0)23 8024 6206 Email: sales@smc-comms.com Web: www.smc-comms.com

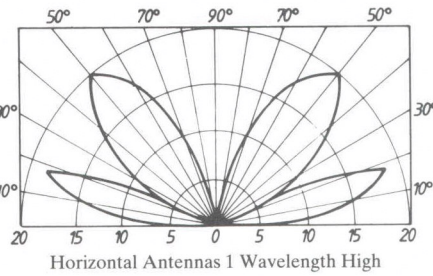
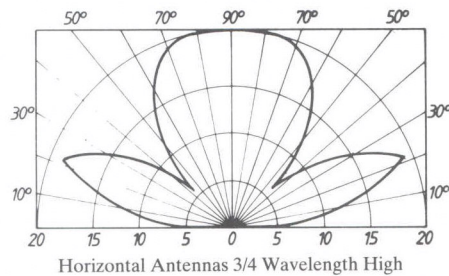
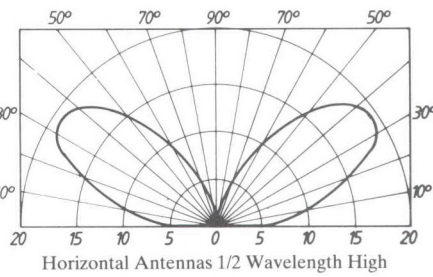
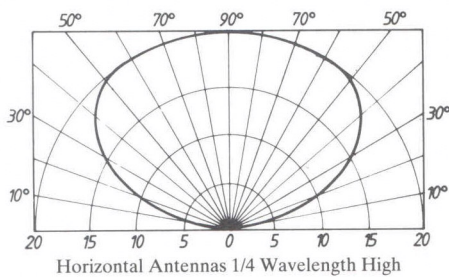
# Technical Specification

## LW Series



FREQUENCY MARKERS (REF FIG.1)

Frequency		Length 'x'		Frequency		Length	
MHz	ft	m	MHz	ft	m	MHz	ft
3.0	75	23.1	8	26	7.9		
3.5	63	19.4	9	22	6.9		
4.0	55	16.9	10	20	6.2		
4.5	48	14.9	12	16.5	5.0		
5.0	43	13.4	14	14	4.3		
5.5	40	12.4	16	12	3.7		
6.0	35	10.8	18	10	3.1		
6.5	32	10.0	22	8	2.4		
7.0	30	9.3	26	6.5	2.0		
7.5	27	8.5	30	4	1.4		



Effect of the ground on the deviation plane patterns of a horizontal antenna.  
 SMC reserves the right to change specifications without prior notice